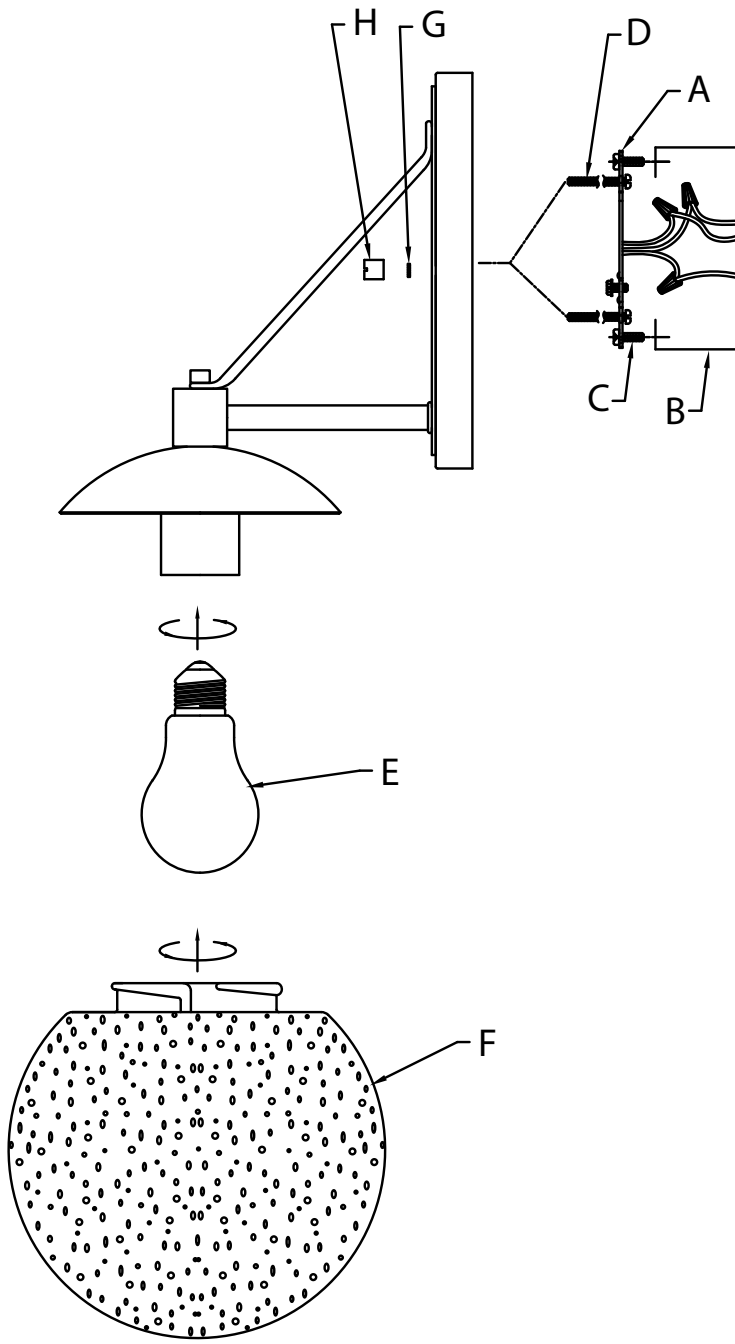


Fixture Diagram



Parts List

- [A] Mounting Strap
- [B] Outlet Box
- [C] Strap Mounting Screws
- [D] Mounting Screws
- [E] Bulb
- [F] Glass
- [G] Lockwashers
- [H] Lockup Knobs

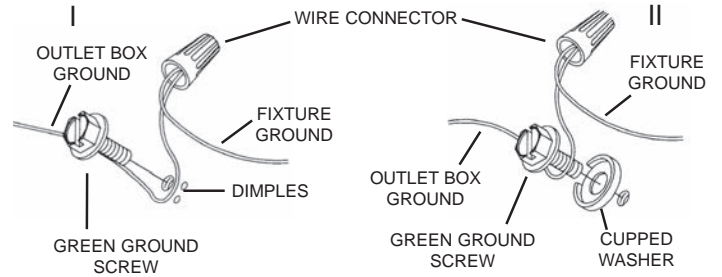
Cautions

**CAUTION – RISK OF SHOCK –**  
 Disconnect Power at the main circuit breaker panel or main fusebox before starting and during the installation.

**WARNING:**  
 This fixture is intended for installation in accordance with the National Electrical Code (NEC) and all local code specifications. If you are not familiar with code requirements, installation by a certified electrician is recommended.

Installation Instructions

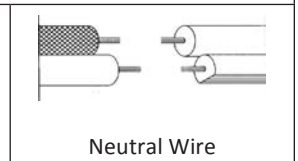
- 1) Find the appropriate threaded holes on mounting strap[A] that align with hole distance in canopy. Thread mounting screws[D] into threaded holes starting from outlet box[B] side.
- 2) Attach mounting strap to outlet box with strap mounting screws[C]. Mounting strap can be adjusted to suit position of fixture.
- 3) Grounding instructions: (See Illus. I or II).
  - a) On fixtures where mounting strap is provided with a hole and two raised dimples. Wrap ground wire from outlet box around green ground screw, and thread into hole.
  - b) On fixtures where a cupped washer is provided. Attach ground wire from outlet box under cupped washer and green ground screw, and thread into mounting strap.
 If fixture is provided with ground wire. Connect fixture ground wire to outlet box ground wire with wire connector (not provided.) after following the above steps. Never connect ground wire to black or white power supply wires.



- 4) Make wire connections. Reference chart below for correct connections and wire accordingly.

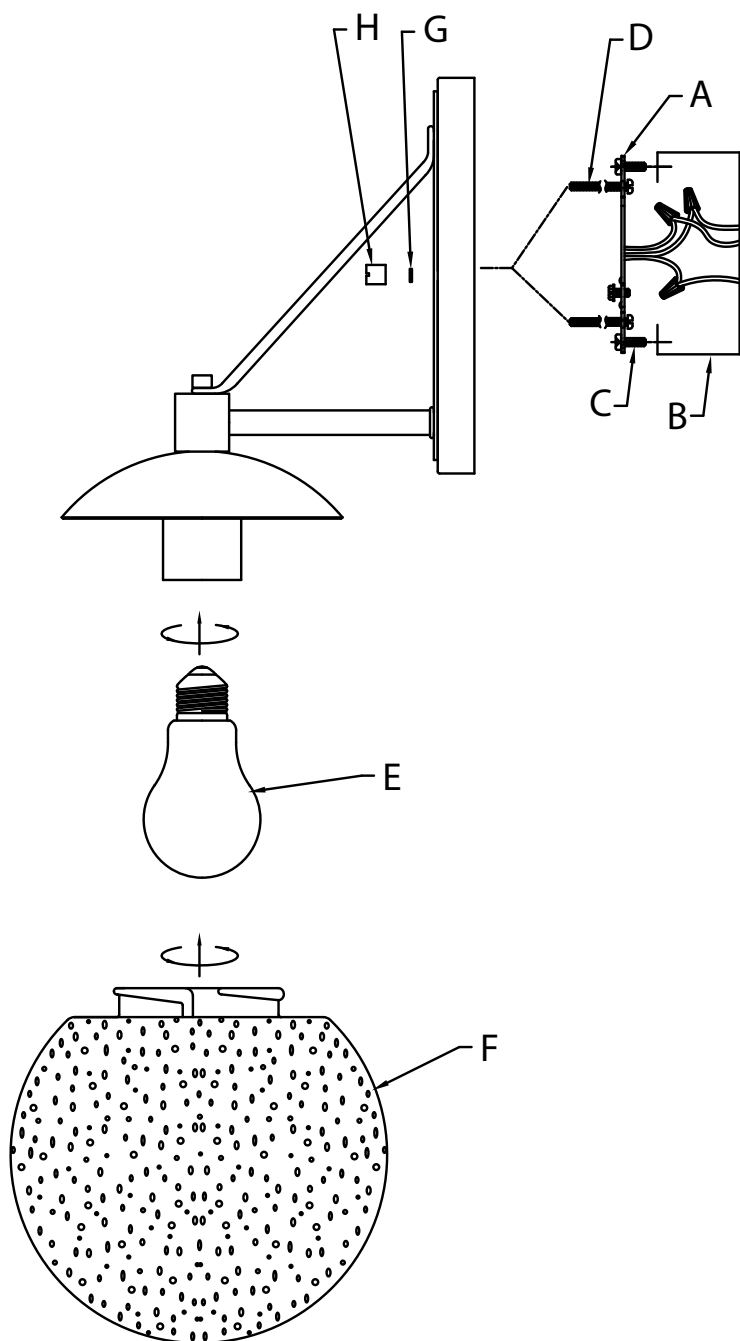
Connect Black or Red Supply Wire to:	Connect White Supply Wire to:
Black	White
*Parallel cord (round & smooth)	*Parallel cord (square & ridged)
Clear, Brown, Gold or Black without Tracer	Clear, Brown, Gold or Black with Tracer
Insulated wire (other than green) with copper conductor	Insulated wire (other than green) with silver conductor

\*Note: When parallel wire (SPT 1 & SPT 2) are used. The neutral wire is square shaped or ridged and the other wire will be round in shape or smooth (see illus.)



- 5) Push fixture to wall carefully passing mounting screws with holes in canopy. **Note:** fixture can be mounted with glass in the up or down position. Make sure all wires are inside canopy and do not get pinched between wall and canopy of fixture.
- 6) Place the two (2) lockwashers[G] onto screws coming through canopy and thread the two (2) lockup knobs[H] onto mounting screws and tighten to secure fixture to wall.
- 7) Insert recommended bulb[E] (not supplied).
- 8) Carefully raise glass[F] to the fixture. Slip the smaller opening over the socket and fit the glass against the socket cover and gently rotate clockwise into place.

## Diagramme d'appareils



### Liste des Pièce

<b>[A]</b> Étrier de Montage	<b>[D]</b> Vis De Montage	<b>[G]</b> Rondelle de Blocage
<b>[B]</b> Boîte À Prises	<b>[E]</b> Ampoules	<b>[H]</b> Boule de Blocage
<b>[C]</b> Vis de Fixation de la Sangle	<b>[F]</b> Verre	

## Précautions

**ATTENTION – RISQUE DE DÉCHARGES ÉLECTRIQUES -**  
Couper le courant au niveau du panneau du disjoncteur du circuit principal ou de la boîte à fusibles principale avant de procéder à l'installation.

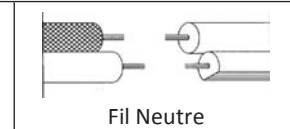
**ATTENTION:**  
Ce luminaire doit être installé conformément aux codes d'électricité nationaux (NEC) et satisfaire toutes les spécifications des codes locaux. Si vous ne connaissez pas les exigences de ces codes, il est recommandé de confier l'installation à un électricien certifié.

## Instructions d'installation

- 1) Find the appropriate threaded holes on mounting strap **[A]** that align with hole distance in canopy. Thread mounting screws **[D]** into threaded holes starting from outlet box **[B]** side.
- 2) Visser la barrette de montage à la boîte de jonction vis de fixation de la sangle **[C]**. La barrette de montage peut être ajustée pour convenir à la position de l'applique..
- 3) Connecter les fils. Se reporter au tableau ci-dessous pour faire les connexions.

Connecter le fil noir ou rouge de la boîte	Connecter le fil blanc de la boîte
A Noir	A Blanc
*Au cordon parallèle (rond et lisse)	*Au cordon parallèle (à angles droits et strié)
Au transparent, doré, marron, ou noir sans fil distinctif	Au transparent, doré, marron, ou noir avec un fil distinctif
Fil isolé (sauf fil vert) avec conducteur en cuivre	Fil isolé (sauf fil vert) avec conducteur en argent

\*Remarque: Avec emploi d'un fil parallèle (SPT 1 et SPT 2). Le fil neutre est à angles droits ou strié et l'autre fil doit être rond ou lisse (Voir le schéma).



- 4) Pousser le luminaire contre le mur, en passant avec soin les vis de montage à travers les trous dans le couvercle. **Note:** fixture can be mounted with glass in the up or down position. Vous assurer que tous les fils sont dans le couvercle et ne se retrouvent pas pincés entre le couvercle et le mur.
- 5) Place the two (2) lockwashers **[G]** onto screws coming through canopy and thread the two (2) lockup knobs **[H]** onto mounting screws and tighten to secure fixture to wall.
- 6) Installer la ou les ampoules **[E]** recommandées (non fournies).
- 7) Carefully raise glass **[F]** to the fixture. Slip the smaller opening over the socket and fit the glass against the socket cover and gently rotate clockwise into place.