

**APPROVED**

By Ted Collmar at 8:08 am, Jan 04, 2010

**KICHLER**   
LIGHTING

---

**READ AND SAVE THESE INSTRUCTIONS**

## **CoolTouch™ control system**

**337009**



U.S. Patent Pending

**CAUTION:** This control system was designed to operate and work with a specific Kichler® Ceiling Fan ONLY. It is not recommended for use with or installation on any other brand of ceiling fan.

*Please make sure your Kichler® dealer has selected the correct model CoolTouch™ control system for your specific Kichler® Ceiling Fan.*

Installation on ANY other brand of ceiling fan could cause the ceiling fan to operate at high temperatures possibly damaging the motor or other components and will VOID your warranty.

## GENERAL INFORMATION

The CoolTouch™ control system is designed to separately control your ceiling fan speeds, reverse the blade direction and both the down light and up light (if present on the fan).

- The speed button will control each fan speed. HI, Medium, and Low
- The reverse button will reverse the direction of the blades.
- The off button will shut down the motor.
- Each light button will separately control the Up and Down lights if your fan is equipped with them.

## 1. INSTALLATION AND OPERATING INSTRUCTIONS

The Kichler® CoolTouch™ control system is equipped with 16 code or "Frequency" combinations to help prevent interference from or to other remote units. The frequency switches on the receiver and transmitter have been preset at the factory. Please recheck to make sure both sets of switches are set in the SAME position. Any combination of settings will operate the fan as long as the switches on the transmitter and receiver are set in the same positions.

### 1. SETTING THE CODE

#### A. Setting the code (frequency) on the transmitter:

- Remove the battery cover on the transmitter by pressing on the cover lid at the point indicated in Figure A
- Slide each switch to a UP or DOWN position (factory setting is all UP). Each possible combination (16) of all four switches is a unique "Frequency". Use a small screwdriver or ballpoint pen to move the switches. (Fig. A)
- Replace the battery cover on the transmitter.

**B.** Set the code (frequency) on the receiver unit by following the same procedure as the transmitter, see figure B. Remember to **MATCH** the same setting as on the transmitter.

### 2. INSTALLING RECEIVER IN THE CEILING FAN

**WARNING: HIGH VOLTAGE !** Household electrical power can cause serious injury or death. Make sure the electrical power source is turned OFF at the main panel by removing the circuit fuse or switching the circuit breaker OFF.

#### A. Installing the receiver unit:

- Rotate the mounting screw cover on the canopy counter clockwise, loosen the two mounting screws, rotate the canopy counter clockwise and let them rest on top of the motor housing.
- Disconnect the existing electrical wiring between the ceiling fan and the household supply wires in the ceiling outlet box.
- Slide the receiver unit into the open space between the top of the mounting bracket and the mounting ball with the "flat" side of the receiver facing UP. (Fig. C or D)

The CoolTouch™ Receiver Unit is adaptable to the Kichler® Basic Mounting System (Fig. D) as well as the Kichler® Slope Adaptor Mounting System (Fig. C)

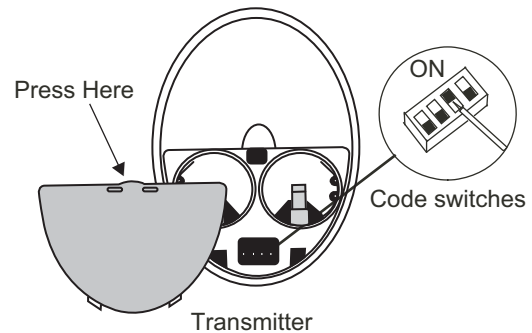


Fig. A

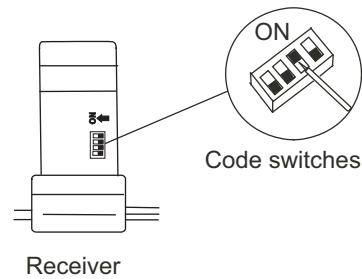


Fig. B

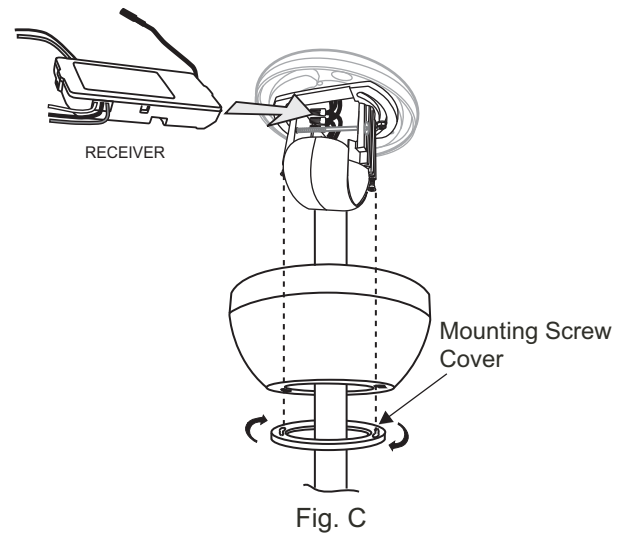


Fig. C

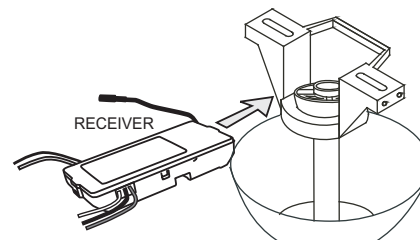


Fig. D

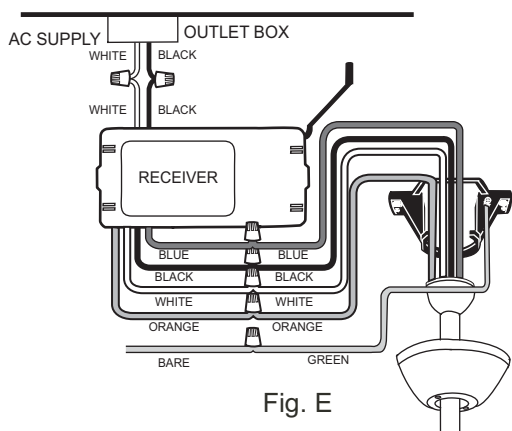


Fig. E

**Receiver to Supply Wires: Figure E**

Green fan wire to.....Bare (copper) supply wire  
 Black receiver wire marked **AC In L** to..... Black supply wire  
 White receiver wire marked **AC In N** to.....White supply wire

**Receiver to Fan wires: Figure E**

White receiver wire marked **TO MOTOR N** to.....White wire from the Fan  
 Black receiver wire marked **TO MOTOR L** to.....Black wire from the Fan  
 Blue receiver wire marked **FOR LIGHT** to.....Blue wire from the Fan  
 Orange receiver wire marked **FOR UPPER LIGHT** to.....Orange wire from the Fan

**NOTE:** Some ceiling fans are not equipped with a Downlight or accent Uplight. The Blue wire on this receiver is for a Downlight and the Orange wire is for an accent Uplight. If your ceiling fan does not have either one or both types of lights, USE A WIRE NUT AND CAP OFF THE WIRE(S) NOT USED.

**CAUTION:** If the household supply wires are a different color than described here, it's recommended that you have a qualified electrician make these connections.

- d. Push all connected wires up into junction box.
- e. Reinstall the canopy on the mounting bracket. (Fig. C)

### 3. CHANGING SWITCH HOUSINGS AND COMPONENTS

**ATTENTION:** The CoolTouch™ Control System requires the purchase of a new Switch Housing that will replace your existing Switch Housing. Part number 370017 or 370018 depending on the mounting plate diameter. Available in a finish to match your ceiling fan.

1. Loosen the four (4) mounting screws located around the top edge of the switch housing.
2. Rotate the switch housing until the mount screw heads are at the "open" end of the key hole slots and pull the switch housing downward. See Figure F as needed.
3. Locate the small plastic clip on the side of the square wire connector. While pressing to hold the clip open, pull the wire connectors apart.
4. You have remove the existing switch housing from your ceiling fan. You won't be needing it with your new remote control installation.

It's suggested that you keep this original switch housing and all components inside just in case you decide to remove the CoolTouch™ Control System at a later date.

5. Locate your NEW empty switch housing and place the CoolTouch™ Wiring Harness inside. (Fig. G)

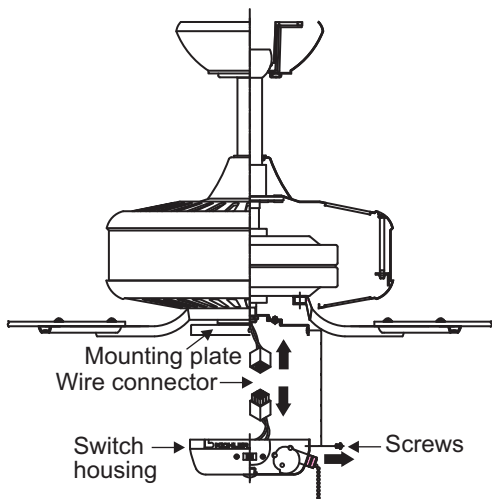


Fig. F

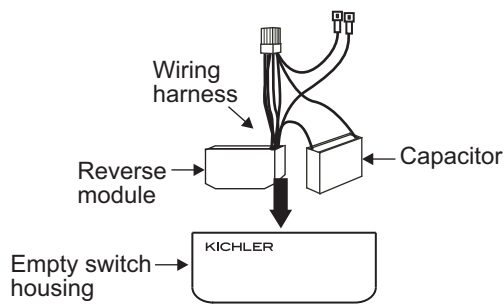


Fig. G

#### 4. INSTALLING A OPTIONAL DOWNLIGHT FIXTURE:

**NOTE:** If your ceiling fan is equipped with a down light, follow the instructions below. The illustrations here are for general reference ONLY. You should refer to the specific assembly instructions that came with your Light Kit.

1. Remove the plastic Center Plug from the switch housing. (Fig. H)
2. Attach the light fixture to the switch housing by feeding the light fixture wires one at a time (black and white) through the hole in the center of the switch housing.
3. Screw the threaded pipe on the light fixture into the center hole on the switch housing. Place a lock washer and retainer nut on the threaded pipe from the inside of the switch housing and tighten securely making sure it is tight enough to prevent the light fixture from coming loose during fan operation. (Fig. H)
4. Inside the switch housing, locate the Blue and White wires on the wiring harness marked FOR LIGHT. Connect these wires to the light fixture wires by pushing them together until they click.

White Fixture wire to White Fan wire  
 Black Fixture wire to Blue Fan wire.

5. Raise and hold the light kit assembly close to the mounting plate on the ceiling fan. Push the square wire connectors together. (Fig. I)

**NOTE:** The square connectors are color coded. Match the color coded sides of each plug and push. They will attach ONLY when matched correctly.

6. Carefully push all wires back into the switch housing, then attach the light kit assembly to the mounting plate by aligning the key holes on the switch housing with the screw heads on the mounting plate.

Rotate the light kit assembly until the screw heads are at the narrow end of the key holes and tighten each screw.

7. Install all necessary lamps and glass shade(s) for your specific light kit.

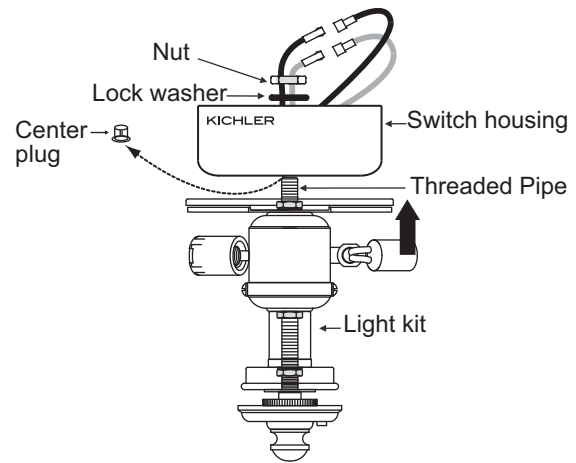


Fig. H

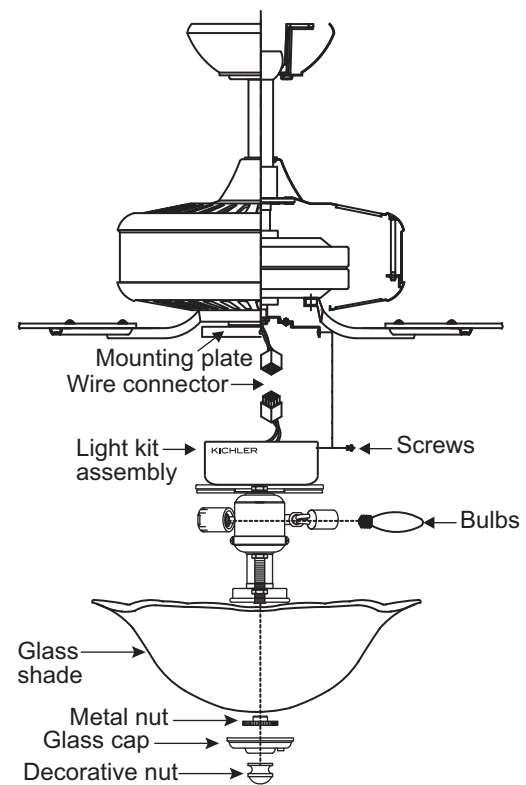


Fig. I

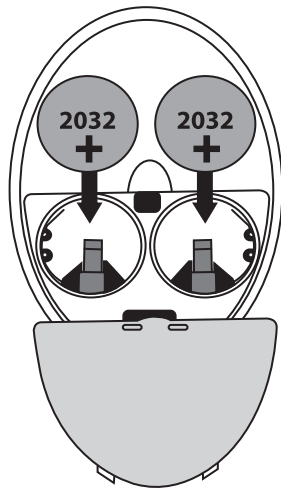


Fig. J

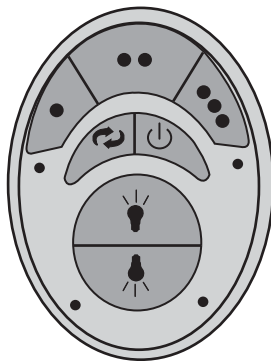


Fig. K

## 5. TRANSMITTER PREPERATION AND OPERATION:

A. The CoolTouch™ Transmitter can be used outdoors without any concern. However, it should be stored, while not in use, indoors and away from excess heat or humidity.

B. Remove the back cover on the transmitter and install both, 3 volt (#2032) batteries that were included with the remote control. Make sure the + sign is facing up and be careful NOT to move any of the small frequency dip switches. (Fig. J)

Replace the battery cover.

C: To prevent possible damage to the transmitter, remove these batteries if not used for long periods of time (months).

### D. Speed Control Buttons:

The "●-●●-●●●" buttons:

These three buttons are used to set each fan speed as follows.

Push and Release for operation.

● = Low speed ●● = Medium speed ●●● = High speed

The "⏻" button:

This button turns the fan MOTOR off ONLY (The speed buttons turn the motor on). Push and Release for operation.

The "💡" button turns the upper light ON or OFF and also controls the brightness setting. The "💡" button turns the bottom light ON or OFF and also controls the brightness setting. Press and release the button to turn the light ON or OFF. Press and hold the button to set the desired brightness. Each light button has an "intelligent return" feature. Once the desired brightness level is set and you turn that light OFF, it will return to the same level of brightness the next time you turn the light ON. If power is lost to the fan, this setting is lost and must be reset.

The "↻" button is used to set the fan in forward or reverse operation. Each time you press and release this button, the fan blades will reverse direction. This button functions ONLY when the fan blades are in motion.

## 6. INSTALLING THE COOLTOUCH™ CONTROL SYSTEM WALL PLATE

Select a location to install your CoolTouch™ Control System Transmitter and Wall Pocket.

**REMEMBER**, you can safely use the transmitter outdoors but it should be stored, while not in use, indoors away from excess heat or humidity.

You can replace an existing wall switch or, install the transmitter wall pocket on ANY flat surface.

Option 1: Install the control system using an existing wall switch outlet box. Make sure the electrical power is **TURNED OFF** at the main panel before continuing.

Step 1. Remove the existing wall plate and the old switch from the wall outlet box. Wire nut the **BLACK** leads (hot) together and push back inside the outlet box. (Fig. L)

Step 2. Install the metal plate and CoolTouch™ wall plate to the existing wall outlet box with 4 screws provided. Then place the two plastic plugs into the wall plate. (Fig. M)

Option 2: Install the control system on ANY flat surface. Select the desired location and use the CoolTouch™ wall plate to mark the location for the mounting holes. Plastic wall anchors and screws are provided for this type of installation.

After installing the wall anchors, attach the CoolTouch™ wall plate with the mounting screws and then insert the plastic plugs to finish the installation.

## 7. STORING THE TRANSMITTER

Place the transmitter in the wall pocket by inserting the bottom of the transmitter first and then press the top of the transmitter into the pocket. The transmitter will fully function from this location or you can remove it to use as a "Hand Held" device.

To remove the transmitter from the wall pocket, push the release button and the transmitter will fall into your hand.

## 8. TROUBLESHOOTING GUIDE

If the Ceiling Fan and/or light fixture(s) fail to respond to commands from the transmitter, check the following.

- Check the main power supply and reset or turn on the breaker.
- Make sure the "Receiver Unit" is wired properly.
- Light Fixture pull chain switch turned to ON ?
- Good batteries in transmitter ? Replace if needed.
- Transmitter and Receiver "frequency" switches set to match each other ?

**NOTE:** The distance between the transmitter and receiver should not be greater than 30 feet. For best performance, make sure the Black Antenna on the end of the receiver unit remains extended and not tangled with any of the electrical wires.

**REMEMBER:** This control system was designed to operate and work with a specific Kichler® Ceiling Fan **ONLY**. It is not recommended for use with or installation on any other brand of ceiling fan.

Please make sure your Kichler® dealer has selected the correct model CoolTouch™ Control System for your specific Kichler Ceiling Fan.

**WARNING:** This control system is intended for use on 120 volt / 60 Hz power systems **ONLY**.

**WARNING:** The dimming function on this control system is **NOT** intended for use with **NON-Dimmable** Fluorescent lamps.

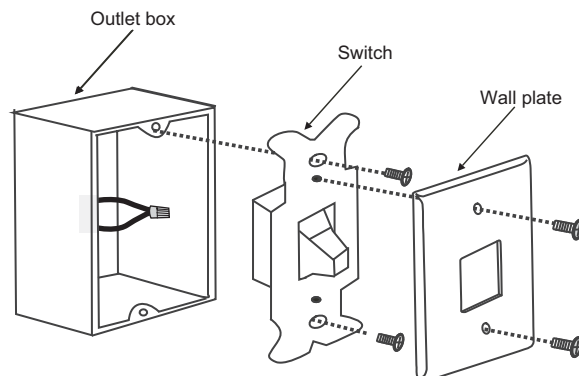


Fig. L

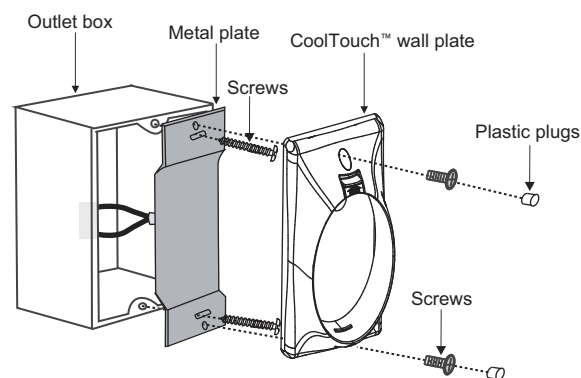


Fig. M

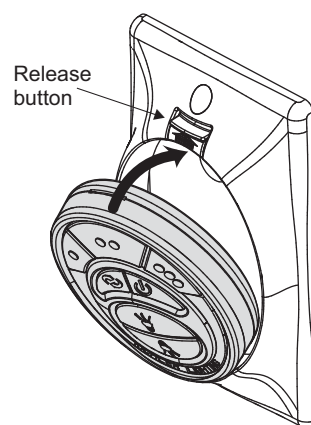


Fig. N