

## INSTRUCTIONS

For Assembling and Installing Fixtures in Canada  
 Pour L'assemblage et L'installation Au Canada

**OUTDOOR USE ONLY**  
**DOM ETRE INSTALLE A L'EXTERIEUR**

### CAUTION

**WHEN INSTALLING KICHLER® LANDSCAPE LIGHTING (LINE VOLTAGE OR LOW VOLTAGE), CARE SHOULD BE TAKEN TO KEEP CLEAR OF POTENTIALLY COMBUSTIBLE MATERIALS.**

**WHEN MAINTAINING THE FIXTURES, BE SURE TO REMOVE LEAVES, PINE NEEDLES, GRASS CLIPPINGS, MULCH, OR ANY DEBRIS THAT HAS ACCUMULATED ON THE LIGHT BULB, LENS, OR BODY OF THE FIXTURE.**

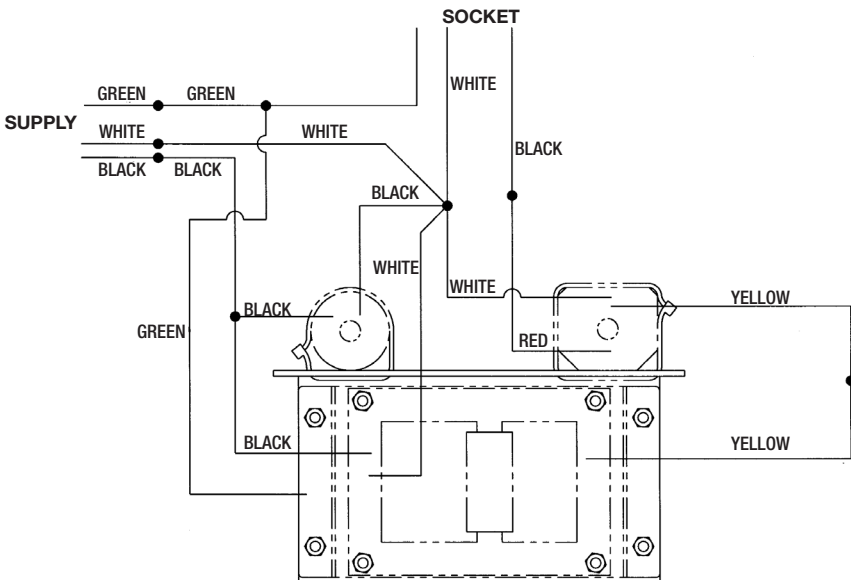
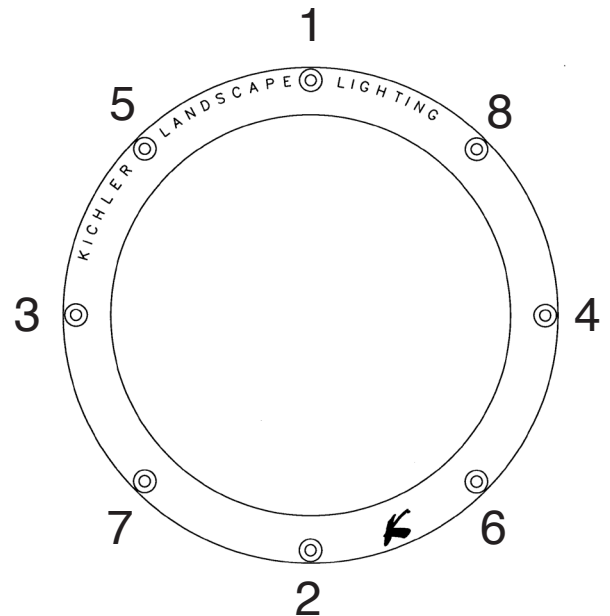
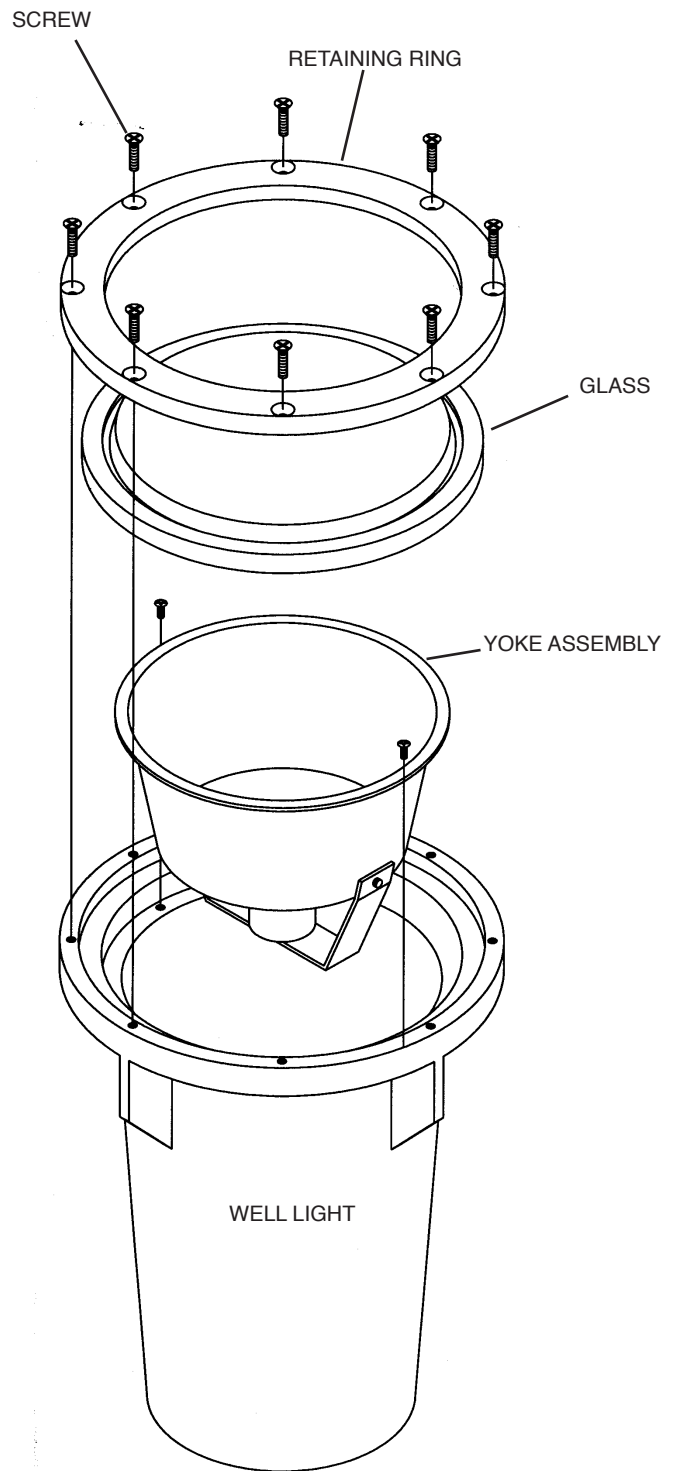
### ASSEMBLY AND INSTALLATION

- Installation should be done by a qualified electrician in accordance with local, state and national electric codes.
- Excavation for conduit and conduit runs should be completed before proceeding.
- If installing fixture in concrete using Kichler pour kit 15608AZ (sold separately) follow direction included with pour kit and skip steps 3,5 and 6.

- 1) Turn off power.
- 2) Remove retaining ring, glass and yoke assembly.
- 3) At desired location, dig hole approximately 3" larger in diameter and depth than well light.
- 4) Attach conduit to bottom of well light. To avoid water from entering well light, thread sealant should be used. NOTE: Bottom of well light has two holes for connection of conduit. Hole not being used should be plugged using plug provided.
- 5) Fill bottom of hole with approximately 3" of pea gravel or equivalent granular material. Top edge of well light should be at or slightly above finish grade. Adjust by adding or removing material.
- 6) Back fill area between well light and hole with pea gravel or equivalent granular material.
- 7) Completely seal conduit connections inside well light using provided gel encapsulate.
- 8) Connect supply wires to ballast connections (connectors not provided). Reference chart for correct connections and wire accordingly.

Connect Black or Red Supply Wire to:	Connect White Supply Wire to:
Black	White
Insulated wire (other than green) with copper conductor	Insulated wire (other than green) with silver conductor

- 9) Adjust angle for bulb by loosening wing nuts inside yoke assembly and adjust bottom end of yoke. Once at desired angle tighten wing nuts.
- 10) Slip yoke assembly into well light and secure in place with screws.
- 11) Insert recommended lamp.
- 12) Insure that all gasket seating surfaces and screw holes are free and clear of debris. If screw holes are not clear blow debris out or clear with #10-32 tap.
- 13) Slip glass with gasket into well light.
- 14) Slip screws previously removed in step 2 through holes in retaining ring.
- 15) Align screws with holes in well light and tighten using an alternating torque sequence at 20-30 inch-lbs. (SEE ILLUSTR. – Numbers indicate order in which to tighten screws.)



For warranty information please visit: [http://www.landscapelighting.com/portal/warranty\\_page](http://www.landscapelighting.com/portal/warranty_page)

Pour de plus amples informations sur la garantie, cliquez sur le lien ci-dessous : [http://www.landscapelighting.com/portal/warranty\\_page](http://www.landscapelighting.com/portal/warranty_page)