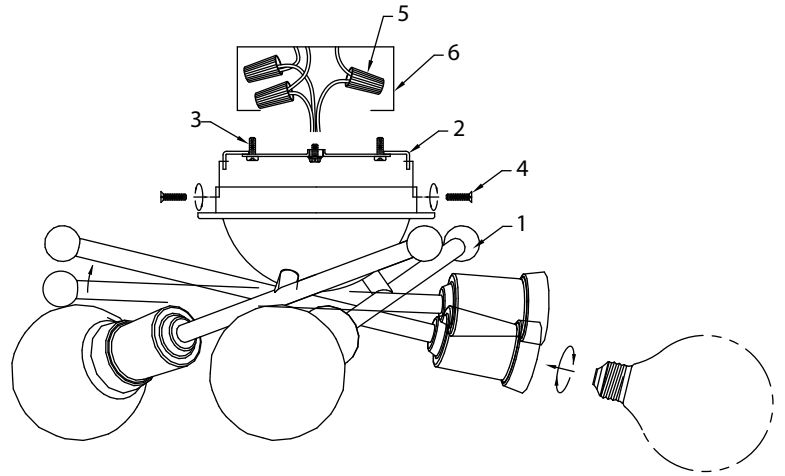
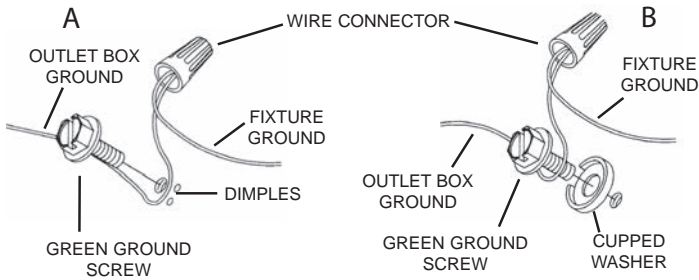


**CAUTION – RISK OF SHOCK –**  
**Disconnect Power at the main circuit breaker panel or main fusebox before starting and during the installation.**

**NOTE:** This fixture can be mounted to a ceiling or a wall outlet box.

- 1) Attach mounting strap[2] to outlet box[6] with strap mounting screws[3]. Mounting strap can be adjusted to suit position of fixture.
- 2) Grounding instructions: (See Illus. A or B)
  - A) On fixtures where mounting strap is provided with a hole and two raise dimples. Wrap ground wire from outlet box around green ground screw, and thread into hole.
  - B) On fixtures where a cupped washer is provided. Put ground wire from outlet box under cupped washer and green ground screw and thread screw into hole in mounting strap.

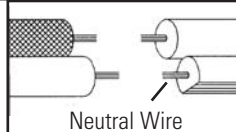
If fixture is provided with ground wire. Connect fixture ground wire to outlet box ground wire with wire connector, after following the above steps. Never connect ground wire to black or white power supply wires.



- 3) Make wire connections using supplied wire nuts[5]. Reference chart below for correct connections and wire accordingly

Connect Black or Red Supply Wire to:	Connect White Supply Wire to:
Black	White
*Parallel cord (round & smooth)	*Parallel cord (square & ridged)
Clear, Brown, Gold or Black without tracer	Clear, Brown, Gold or Black with tracer
Insulated wire (other than green) with copper conductor	Insulated wire (other than green) with silver conductor

\*Note: When parallel wires (SPT I & SPT II) are used. The neutral wire is square shaped or ridged and the other wire will be round in shape or smooth (see illus.)



- 4) Push fixture[1] to wall or ceiling outlet box. Be sure not to pinch wires between wall and canopy of fixture.
- 5) Screw in two (2) mounting screws[4]: one on two sides of canopy.
- 6) Insert recommended bulbs. e

**ATTENTION – RISQUE DE DÉCHARGES ÉLECTRIQUES -**

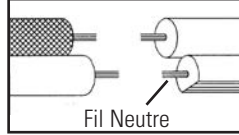
**Couper le courant au niveau du panneau du disjoncteur du circuit principal ou de la boîte à fusibles principale avant de procéder à l'installation.**

**NOTE:** This fixture can be mounted to a ceiling or a wall outlet box.

- 1) Visser la barrette de montage[2] à la boîte de jonction[6][3]. La barrette de montage peut être ajustée pour convenir à la position de l'applique.
- 2) Make wire connections using supplied wire nuts[5]. Se porter au tableau ci-dessous pour faire les connexions.

Connecter le fil noir ou rouge de la boîte	Connecter le fil blanc de la boîte
A Noir	A Blanc
*Au cordon parallèle (rond et lisse)	*Au cordon parallèle (à angles droits et strié)
Au transparent, doré, marron, ou noir sans fil distinctif	Au transparent, doré, marron, ou noir avec un fil distinctif
Fil isolé (sauf fil vert) avec conducteur en cuivre	Fil isolé (sauf fil vert) avec conducteur en argent

\*Remarque: Avec emploi d'un fil parallèle (SPT I et SPT II). Le fil neutre est à angles droits ou strié et l'autre fil doit être rond ou lisse (Voir le schéma).



- 3) Push fixture[1] to wall or ceiling outlet box. Be sure not to pinch wires between wall and canopy of fixture.
- 4) Screw in two (2) mounting screws[4]: one on two sides of canopy.
- 5) Installer la ou les ampoules recommandées. Note that the arms can be rotated.

