

# 4 Light Decorative Fitter

**KICHLER®**

Kichler® Lighting  
7711 East Pleasant Valley Road  
P.O. Box 318010  
Cleveland, Ohio 44131-8010

Customer Service  
866.558.5706  
8:30 AM to 5:00 PM EST,  
Monday - Friday

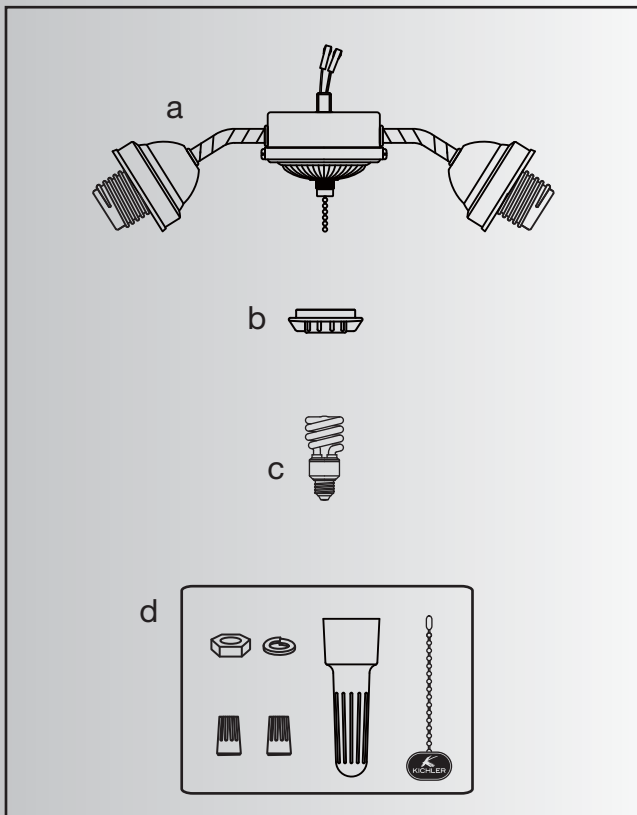
Instruction Manual

**KICHLER®**

**"CAUTION-RISK OF FIRE"  
CONSULT A QUALIFIED ELECTRICIAN TO  
ENSURE CORRECT BRANCH CIRCUIT  
CONDUCTOR.**

**Special Notice:** This appliance is equipped with a "Wattage Limiting Device" required by the United States Department of Energy. The device has been installed at the factory and can not be removed.

Installing Lamps in excess of 190 total watts will disable the units light fixture. If this should happen, you will need to reset the lighting fixture by turning the power off to the ceiling fan and/or light fixture, reinstalling lamps totaling less than 190 watts and then turning the power back on.



## 1. SAFETY RULES

### WARNING! RISK OF ELECTRIC SHOCK

All electrical connections must be made in accordance with local codes, ordinances, or national codes. If you are unfamiliar with installing electrical wiring, secure the services of a qualified electrician. Before starting this installation, disconnect the power by turning off the circuit breaker at your main panel or removing the fuse at the fuse block. Turning the power off using the ceiling fan switch (speed control on/off) is not sufficient to prevent electrical shock.

**NOTE:** The important safeguards and instructions appearing in this manual are not meant to cover all possible conditions and situations that may occur. It must be understood that common sense, caution and care are factors which cannot be built into any product. These factors must be supplied by the person (s) caring for and operating the unit.

## 2. PACKAGE CONTENTS

Unpack your light fixture and check the contents. You should have the following items:

- a. Light Fixture
- b. Glass Shade Retainer Nuts (4) (Pre-installed on the Light Fixture Sockets)
- c. 13 watt compact fluorescent lamps (4)
- d. Part bag contents:
  - Nut
  - Spring Washer
  - Wire Nuts (2)
  - Light Socket Retainer Nut Wrench
  - Pull chain and fob

## 3. INSTALLING THE LIGHT KIT

1. Remove and discard the center plug from the switch housing. Attach the light kit to the switch housing by feeding the light kit wires (black and white) through the hole in the center of the switch housing, then screw the light kit onto the switch housing.

Attach the nut & lock washer on the inside of the switch housing making sure the light kit is secure to prevent movement after installation. (Fig. 1)

2. Locate the white and blue wires inside the switch housing labeled FOR LIGHT.

3. Attach the wires from the light kit to the wires inside the switch housing by pushing the polarized connections together.

- White wire to White wire
- Blue wire to Black wire

4. Raise and hold the light kit assembly close to the mounting plate of the ceiling fan. Push the square wire connectors together. (Fig. 2)

**NOTE:** The square connectors are color coded. Match the color coded sides of each plug and push. They will attach **ONLY** when matched correctly.

5. Carefully push all wires back into the switch housing, then install the light kit assembly onto the mounting plate with 3 screws provided. Be sure to tighten all screws. (Fig. 2)

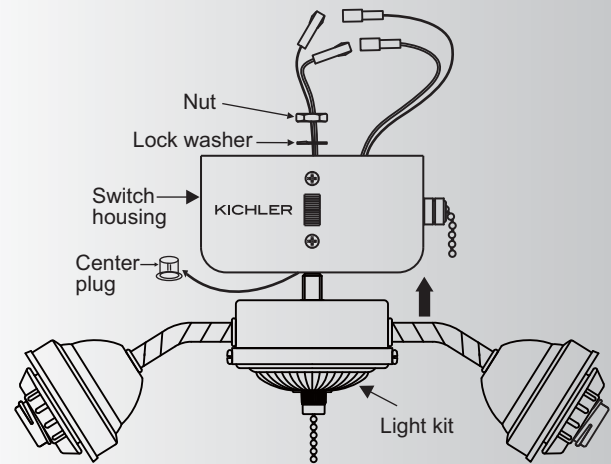


Fig. 1

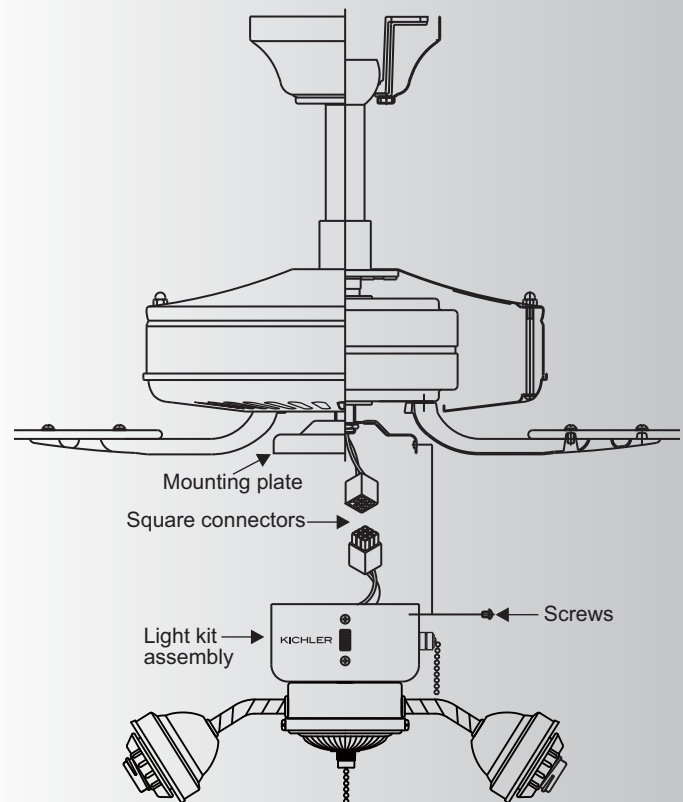
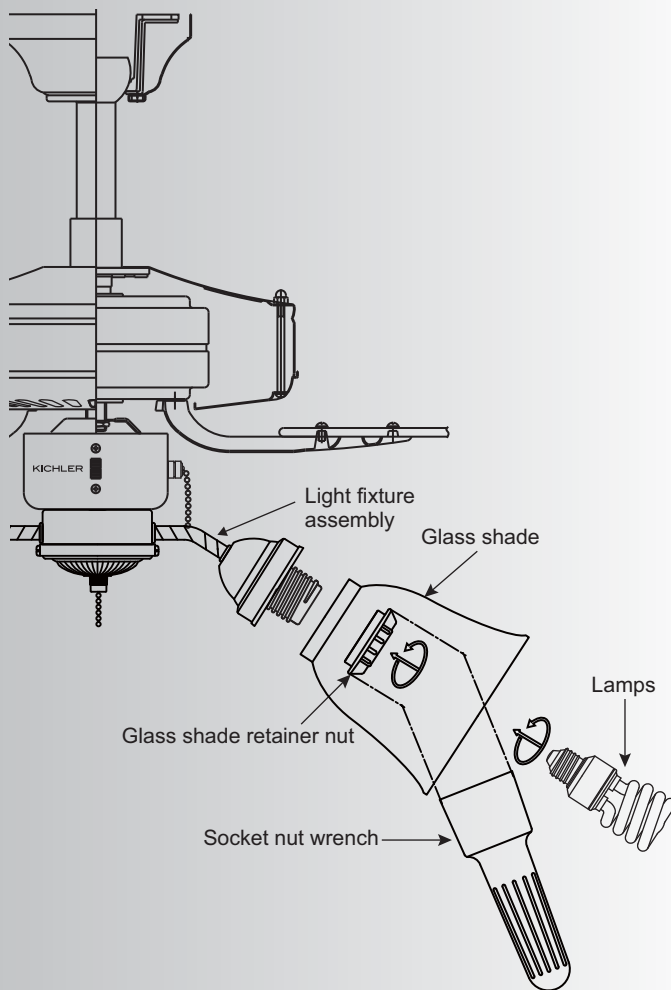


Fig. 2

**Fig. 3**

#### 4. INSTALLING THE LAMPS & GLASS SHADES

1. Remove the glass shade retainer nut from each socket. Insert a glass shade (not include) into the glass holder, then replace and tighten the retainer nut until it is tighten firmly. Repeat this procedure for the remaining glass shades. (Fig. 3)

**NOTE:** A Socket Nut Wrench has been provided to help in this installation.

2. Install 4, 13 watt compact florescent lamps (included). (Fig. 3)

3. Attach a pull Chain Fob to the beaded pull chains on the light fixture and speed chain.

4. Your installation is now complete. Restore electrical power and enjoy your new ceiling fan light fixture.