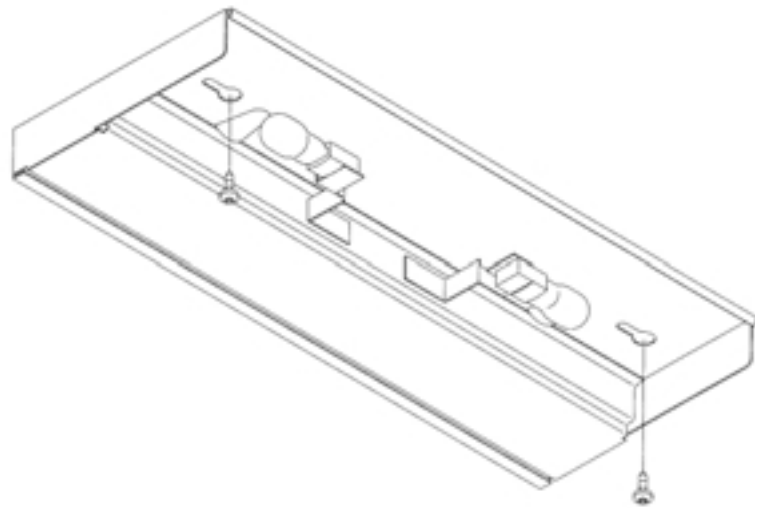
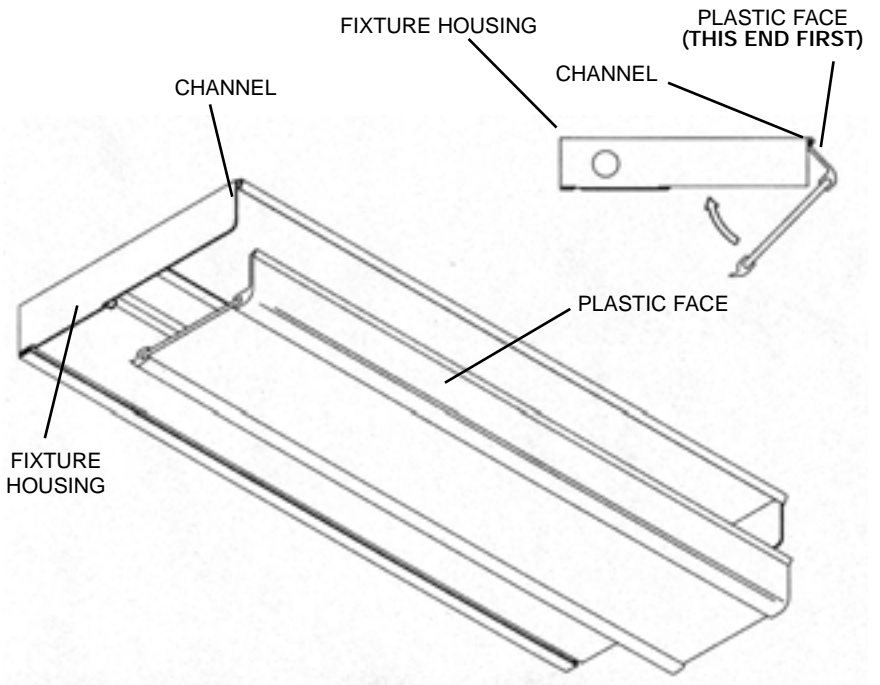


- 1) Determine desired location for mounting fixture. When doing this keep in mind distance from fixture to receptacle and that mounting surface should be a minimum of 1/2" thick..
- 2) Hold fixture housing in desired mounting position and mark position of keyholes. Put fixture housing down and start screw at marks.
- 3) Slip large portion of keyhole over screwheads and push fixture to one side. This will allow both hands freedom for tightening screws.
- 4) Insert recommended bulbs, if removed.



- 6) Plastic face of diffuser has a slight lip. Insert lip into channel at front of fixture housing.
- 7) Swing diffuser up towards fixture housing until diffuser snaps into place.
- 8) Plug fixture into receptacle.



- 9) To remove diffuser: Place thumbs on diffuser face and finger tips on lip between diffuser face and diffuser glass. Apply slight pressure to diffuser face with thumbs and pull fingers toward thumbs.

